

SYSTEM FOR INTEGRATED MONITORING OF ENVIRONMENT POLLUTION IN EUROPE (SIMPLE)

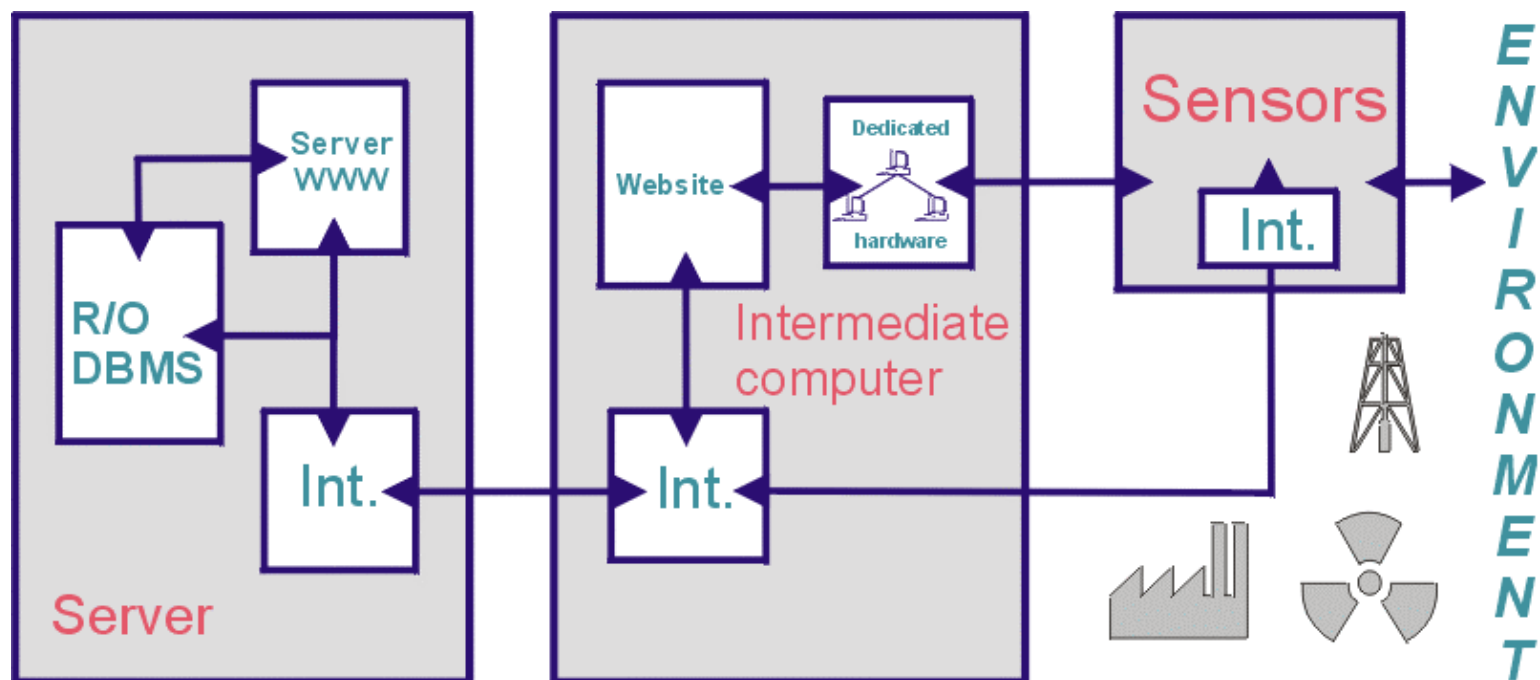
Andrzej Filipkowski, Warsaw University of Technology
e-mail: filip@ise.pw.edu.pl

The proposed Network of Excellence (NoE) is an item of research of many institutions in Europe. Different pollutants in water, air and soil and noise are measured or monitored by different kinds of sensors and data obtained processed and visualised in different ways. Some pollutants are not monitored, there is a redundancy for others. This NoE should integrate the efforts of most institutions involved in the problem and give as an effect a unified system, broadly available, easy to maintain and understandable for most users. Sensors, measurements, data processing, visualisation can be standardised and generally available. It will create a tool for reaching the goals of theme 1.1.6 of priorities of FP6, using the methods listed in priority 1.1.2.

The network will enable mutual contacts, exchange of experience, scientists and equipment, giving as an effect unified and integrated system with standard hardware and software. The effect will be important for national and regional environment authorities for easy monitoring of pollution.

SYSTEM FOR INTEGRATED MONITORING OF ENVIRONMENT POLLUTION IN EUROPE (SIMPLE)

- This proposal will be submitted before April 8 for the subpriority 1.1.6.3 **GLOBAL CHANGE AND ECOSYSTEMS**. The methods are in the IST field



Typical block diagram of environment monitoring system

SYSTEM FOR INTEGRATED MONITORING OF ENVIRONMENT POLLUTION IN EUROPE (SIMPLE)

- There are 36 partners from: PL, ES, GR, TR, RO, IT, DE, AT, FR, SK, SI, PT and NO.

The problems to be solved are:

Environment level	Water (W)	air (A)	soil (VS)	noise (N)	electromagnetic fields & radiation (ER)
sensors (S)	WS	AS	SS	NS	ERS
data fusion & aggregation (DF)	WDF	ADF	SDF	NDF	ERDF
data transmission (DT)	WDT	ADT	SDT	NDT	ERDT
data visualisation (DV)	WDV	ADV	SDV	NDV	ERDV

If the proposal is not successful, second call in IST such as: Advanced devices, Grid based systems or Improving risk management is possible